

SERVICES (ENGLISH UNITS)

MARK	UTILITY	PRESS.	SIZE	FLOW	ELEV.
1	FURNACE EXHAUST	-	3X 66.2	3500 CFM	105
2	EXHAUST	-.75" H ₂ O	5.7 X 8.0	1000 CFM	13.7
3	GAS CABINET EXHAUST	2.0" H ₂ O	4.5 X 12.0	500 CFM	13.7
4	EXHAUST	-	2.0" H ₂ O	400 CFM	6.5
5	HEAT EXCHANGER	40-80 PSIG	4.0 WPT	4.0 PM	103
6	HEAT EXCHANGER	-	4.0 WPT	4.0 PM	97
7	HEAT EXCHANGER	-	4.0 WPT	4.0 PM	97
8	HEAT EXCHANGER	-	4.0 WPT	4.0 PM	97
9	HEAT EXCHANGER	-	4.0 WPT	4.0 PM	97
10	HEAT EXCHANGER	-	4.0 WPT	4.0 PM	97
11	FOUR BRAM (DRY NIT)	-	2.5 TB	1.0 PM	4
12	FOUR BRAM (DRY NIT)	-	2.5 TB	1.0 PM	4
13	FOUR BRAM (DRY NIT)	-	2.5 TB	1.0 PM	4
14	FOUR BRAM (DRY NIT)	-	2.5 TB	1.0 PM	4
15	FOUR BRAM (DRY NIT)	-	2.5 TB	1.0 PM	4
16	FOUR BRAM (DRY NIT)	-	2.5 TB	1.0 PM	4
17	FOUR BRAM (DRY NIT)	-	2.5 TB	1.0 PM	4
18	FOUR BRAM (DRY NIT)	-	2.5 TB	1.0 PM	4
19	FOUR BRAM (DRY NIT)	-	2.5 TB	1.0 PM	4
20	FOUR BRAM (DRY NIT)	-	2.5 TB	1.0 PM	4
21	FOUR BRAM (DRY NIT)	-	2.5 TB	1.0 PM	4
22	FOUR BRAM (DRY NIT)	-	2.5 TB	1.0 PM	4
23	FOUR BRAM (DRY NIT)	-	2.5 TB	1.0 PM	4
24	FOUR BRAM (DRY NIT)	-	2.5 TB	1.0 PM	4
25	FOUR BRAM (DRY NIT)	-	2.5 TB	1.0 PM	4
26	FOUR BRAM (DRY NIT)	-	2.5 TB	1.0 PM	4
27	FOUR BRAM (DRY NIT)	-	2.5 TB	1.0 PM	4
28	FOUR BRAM (DRY NIT)	-	2.5 TB	1.0 PM	4
29	FOUR BRAM (DRY NIT)	-	2.5 TB	1.0 PM	4
30	FOUR BRAM (DRY NIT)	-	2.5 TB	1.0 PM	4
31	FOUR BRAM (DRY NIT)	-	2.5 TB	1.0 PM	4
32	FOUR BRAM (DRY NIT)	-	2.5 TB	1.0 PM	4
33	FOUR BRAM (DRY NIT)	-	2.5 TB	1.0 PM	4
34	FOUR BRAM (DRY NIT)	-	2.5 TB	1.0 PM	4
35	FOUR BRAM (DRY NIT)	-	2.5 TB	1.0 PM	4

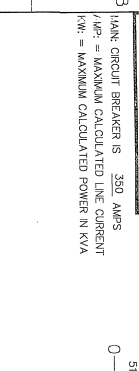
MINIMUM WALL OPENINGS

SECTION	HEIGHT	WIDTH
FURNACE	10	55
LOAD STATION	58	38
SOURCE CABINET	86	68

ELECTRICAL

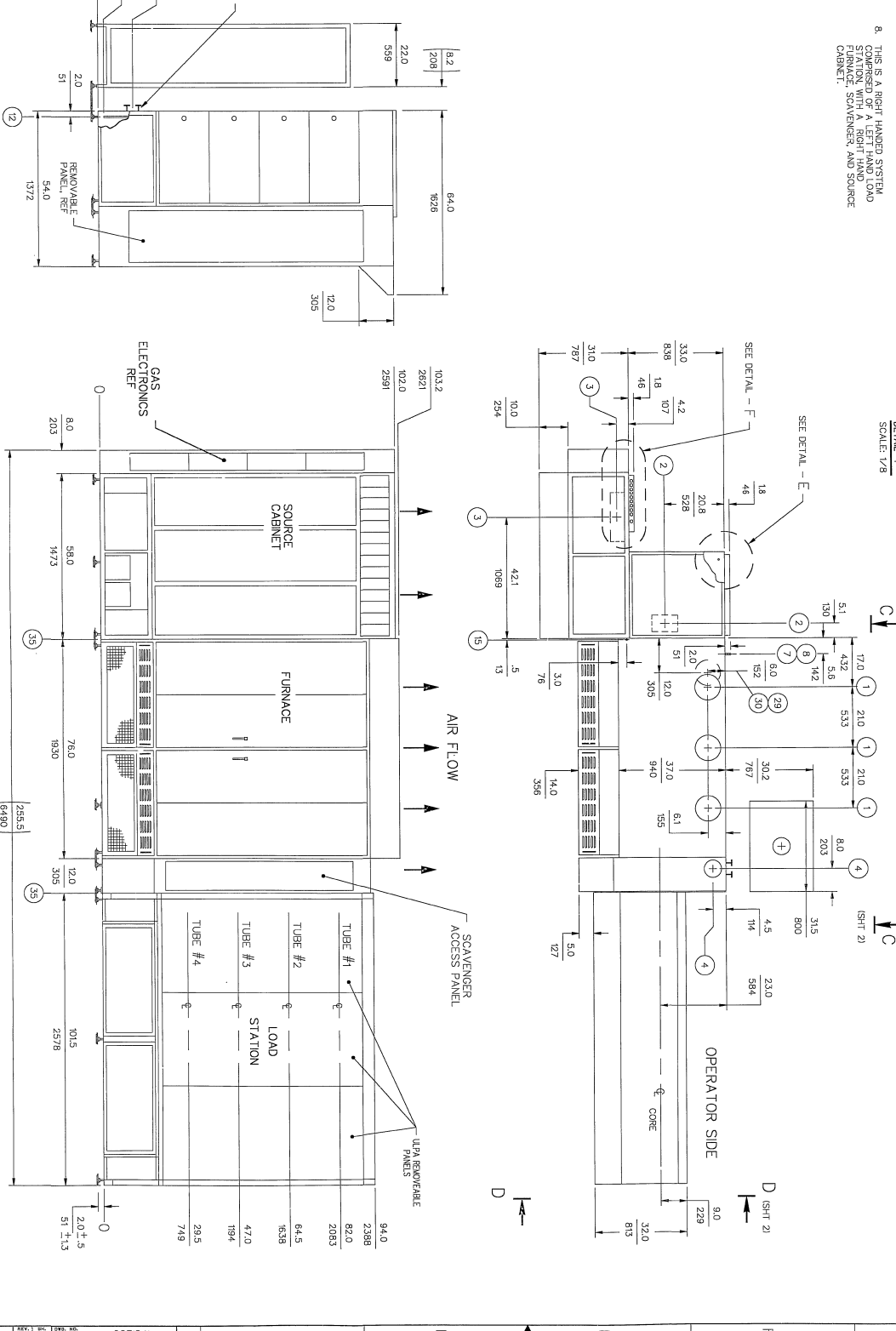
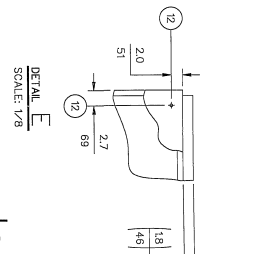
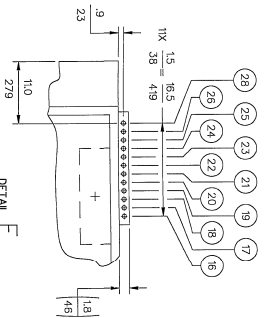
YANAMU PROCESSING TUBE NO. 1 2590 2 2691 3 2690 4 2690
FURNACE CASE MUST BE GROUNDED PER LOCAL CODES

BRIDGE TECHNOLOGIES INTERNATIONAL, INC.
MODEL: BBT-41
EQUIPMENT NO.: DMOSS-1
DATE: _____
VOLT: 415
AMP: 315 PH: 3
HZ: 50 HZ KW: 595



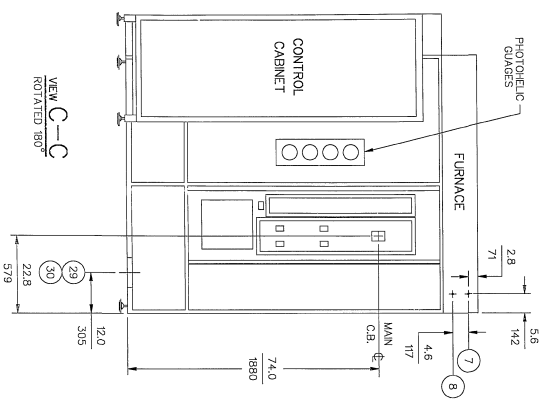
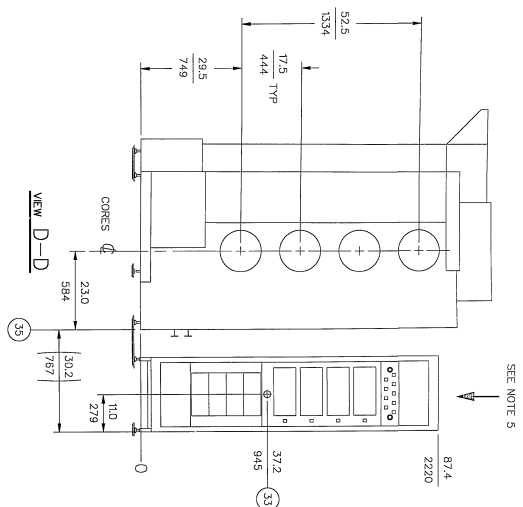
NOTES:

- DIMENSIONS ARE GIVEN AS MIN.
- MAIN POWER FEED IS A 3 PHASE, 480V, 60 HZ SYSTEM. ALL CONNECTIONS TO BE MADE FROM FLOOR FOR 5' START-UP.
- MINIMUM WALL OPENINGS FOR TUBES, PALLETS ADD 6 INCHES TO HEIGHT FROM BOTTOM FRAME.
- ELEV. = ELEVATION FROM FLOOR INCHES.
- H₂O REGULATION AND OVERPRESSURE BYPASS ARE FACILITY RESIDENT.
- FLOORS LISTED ARE DRAIN LINE CAPACITIES IN THE EVENT OF A FLUID LEAK.
- THIS IS A RIGHT HANDED SYSTEM COMPRISED OF A LEFT HAND LOAD STATION WITH REFRIG. AND SOURCE CABINET.

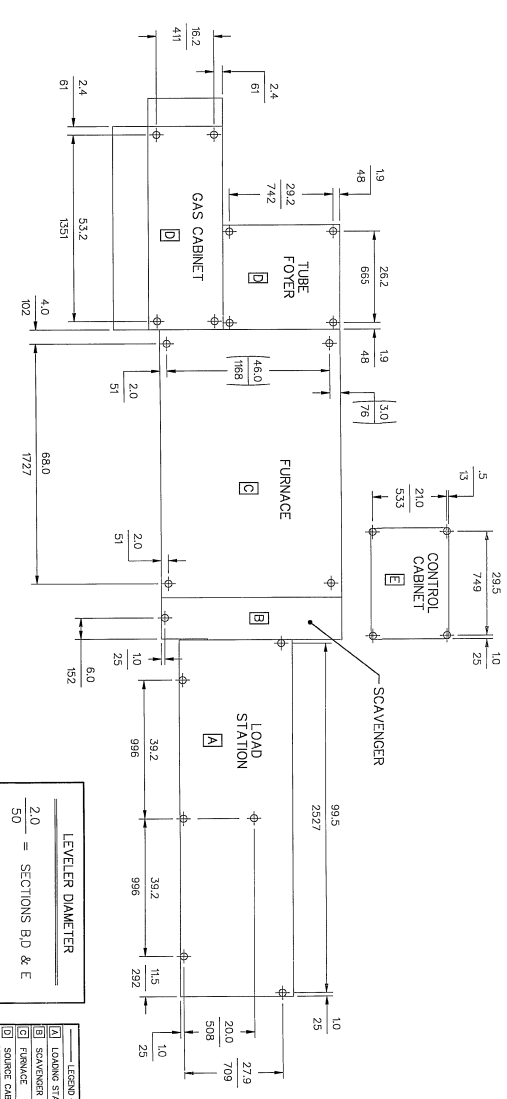


BRIDGE TECHNOLOGIES INTERNATIONAL, INC.
INSTALLATION AND FACILITIES
DRAWING: DMOSS-1, RH
DATE: 08/24/14
SCALE: 1/8
SHEET: 1 OF 2

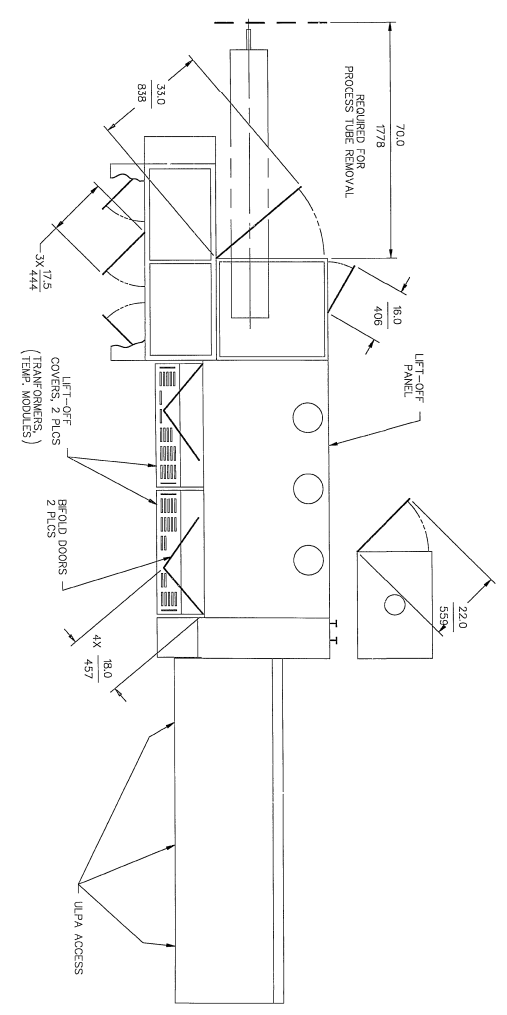
NO.	REV.	DATE	DESCRIPTION
1			ISSUED FOR PERMITTING
2			ISSUED FOR CONSTRUCTION
3			ISSUED FOR CONSTRUCTION
4			ISSUED FOR CONSTRUCTION
5			ISSUED FOR CONSTRUCTION
6			ISSUED FOR CONSTRUCTION
7			ISSUED FOR CONSTRUCTION
8			ISSUED FOR CONSTRUCTION
9			ISSUED FOR CONSTRUCTION
10			ISSUED FOR CONSTRUCTION
11			ISSUED FOR CONSTRUCTION
12			ISSUED FOR CONSTRUCTION
13			ISSUED FOR CONSTRUCTION
14			ISSUED FOR CONSTRUCTION
15			ISSUED FOR CONSTRUCTION
16			ISSUED FOR CONSTRUCTION
17			ISSUED FOR CONSTRUCTION
18			ISSUED FOR CONSTRUCTION
19			ISSUED FOR CONSTRUCTION
20			ISSUED FOR CONSTRUCTION
21			ISSUED FOR CONSTRUCTION
22			ISSUED FOR CONSTRUCTION
23			ISSUED FOR CONSTRUCTION
24			ISSUED FOR CONSTRUCTION
25			ISSUED FOR CONSTRUCTION
26			ISSUED FOR CONSTRUCTION
27			ISSUED FOR CONSTRUCTION
28			ISSUED FOR CONSTRUCTION
29			ISSUED FOR CONSTRUCTION
30			ISSUED FOR CONSTRUCTION
31			ISSUED FOR CONSTRUCTION
32			ISSUED FOR CONSTRUCTION
33			ISSUED FOR CONSTRUCTION
34			ISSUED FOR CONSTRUCTION
35			ISSUED FOR CONSTRUCTION



LEVELLING LEG LOCATIONS
(POINT LOADING)



DOOR SWING / COMPONENT ACCESS



LEVELLER DIAMETER	
2.0	= SECTIONS B,D & E
5.0	= SECTIONS A & C
3.0	= SECTIONS A & C
7.6	= SECTIONS A & C

LEGEND			
A	LOADING STATION	3000	WEIGHT (LBS)
B	SCAVENGER	4500	
C	FURNACE	2800	
D	SOURCE CABINET	7000	
E	CONTROL CABINET		