

**SERVICES (ENGLISH UNITS)**

MK	UTILITY	PRESS.	SIZE	FLOW	ELEV.
1	FURNACE EXHAUST	-	3X 8x8	2500 CFM	105
2	TUBE FURNACE EXHAUST	5" H <sub>2</sub> O	Ø 8.0	300 CFM	104
3	GAS CABINET	5" H <sub>2</sub> O	2X Ø 8.0	500 CFM	104
4	SCAVENGER	2.0" H <sub>2</sub> O	Ø 5.0	100 CFM	107
5	EXHAUST CLEAN AIR SUPPLY	1.5" H <sub>2</sub> O	1.25" X 8.0"	500 CFM	96
6	WATER LEAK EXHAUST	40-80 PSI	50 WPT	4 GPM	103
7	WATER LEAK EXHAUST	-	50 WPT	4 GPM	97
8	TOPIC COOLING AIR TUBE FLOW	80 PSI	3.8 SWG	16 CFM	103
9	TOPIC COOLING AIR TUBE FLOW	-	3.8 SWG	16 CFM	103
10	DRAIN TUBE FRYER SHEET	-	2.5 TB	1 GPM	4
11	DRAIN TUBE FRYER SHEET	-	2.5 TB	1 GPM	4
12	DRAIN TUBE FRYER SHEET	-	2.5 TB	1 GPM	4
13	DRAIN TUBE FRYER SHEET	-	2.5 TB	1 GPM	4
14	DRAIN TUBE FRYER SHEET	-	2.5 TB	1 GPM	4
15	EXHAUST CLEAN AIR SUPPLY	-	2.5 TB	1 GPM	5
16	GAS / PRESSURE ROOM ROTARY SETTING	50 PSIG	1/2" TUBE 100 SLIM	101	
17	H <sub>2</sub> / 50 PSIG	50 PSIG	1/2" TUBE 100 SLIM	101	
18	H <sub>2</sub> / 50 PSIG	50 PSIG	1/2" TUBE 100 SLIM	101	
19	H <sub>2</sub> / 50 PSIG	50 PSIG	1/2" TUBE 100 SLIM	101	
20	H <sub>2</sub> / 50 PSIG	50 PSIG	1/2" TUBE 100 SLIM	101	
21	H <sub>2</sub> / 50 PSIG	50 PSIG	1/2" TUBE 100 SLIM	101	
22	H <sub>2</sub> / 50 PSIG	50 PSIG	1/2" TUBE 100 SLIM	101	
23	H <sub>2</sub> / 50 PSIG	50 PSIG	1/2" TUBE 100 SLIM	101	
24	H <sub>2</sub> / 50 PSIG	50 PSIG	1/2" TUBE 100 SLIM	101	
25	H <sub>2</sub> / 50 PSIG	50 PSIG	1/2" TUBE 100 SLIM	101	
26	H <sub>2</sub> / 50 PSIG	50 PSIG	1/2" TUBE 100 SLIM	101	
27	H <sub>2</sub> / 50 PSIG	50 PSIG	1/2" TUBE 100 SLIM	101	
28	H <sub>2</sub> / 50 PSIG	50 PSIG	1/2" TUBE 100 SLIM	101	
29	H <sub>2</sub> / 50 PSIG	50 PSIG	1/2" TUBE 100 SLIM	101	
30	H <sub>2</sub> / 50 PSIG	50 PSIG	1/2" TUBE 100 SLIM	101	
31	H <sub>2</sub> / 50 PSIG	50 PSIG	1/2" TUBE 100 SLIM	101	
32	H <sub>2</sub> / 50 PSIG	50 PSIG	1/2" TUBE 100 SLIM	101	
33	H <sub>2</sub> / 50 PSIG	50 PSIG	1/2" TUBE 100 SLIM	101	
34	H <sub>2</sub> / 50 PSIG	50 PSIG	1/2" TUBE 100 SLIM	101	
35	H <sub>2</sub> / 50 PSIG	50 PSIG	1/2" TUBE 100 SLIM	101	
36	H <sub>2</sub> / 50 PSIG	50 PSIG	1/2" TUBE 100 SLIM	101	
37	H <sub>2</sub> / 50 PSIG	50 PSIG	1/2" TUBE 100 SLIM	101	
38	H <sub>2</sub> / 50 PSIG	50 PSIG	1/2" TUBE 100 SLIM	101	
39	H <sub>2</sub> / 50 PSIG	50 PSIG	1/2" TUBE 100 SLIM	101	

**MINIMUM WALL OPENINGS**

SECTION	HEIGHT	WIDTH
FURNACE	10	60
LOAD STATION	98	36
SOURCE CABINET	106	68

**ELECTRICAL**

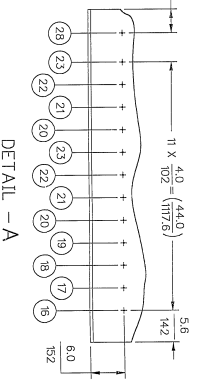
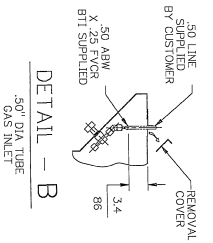
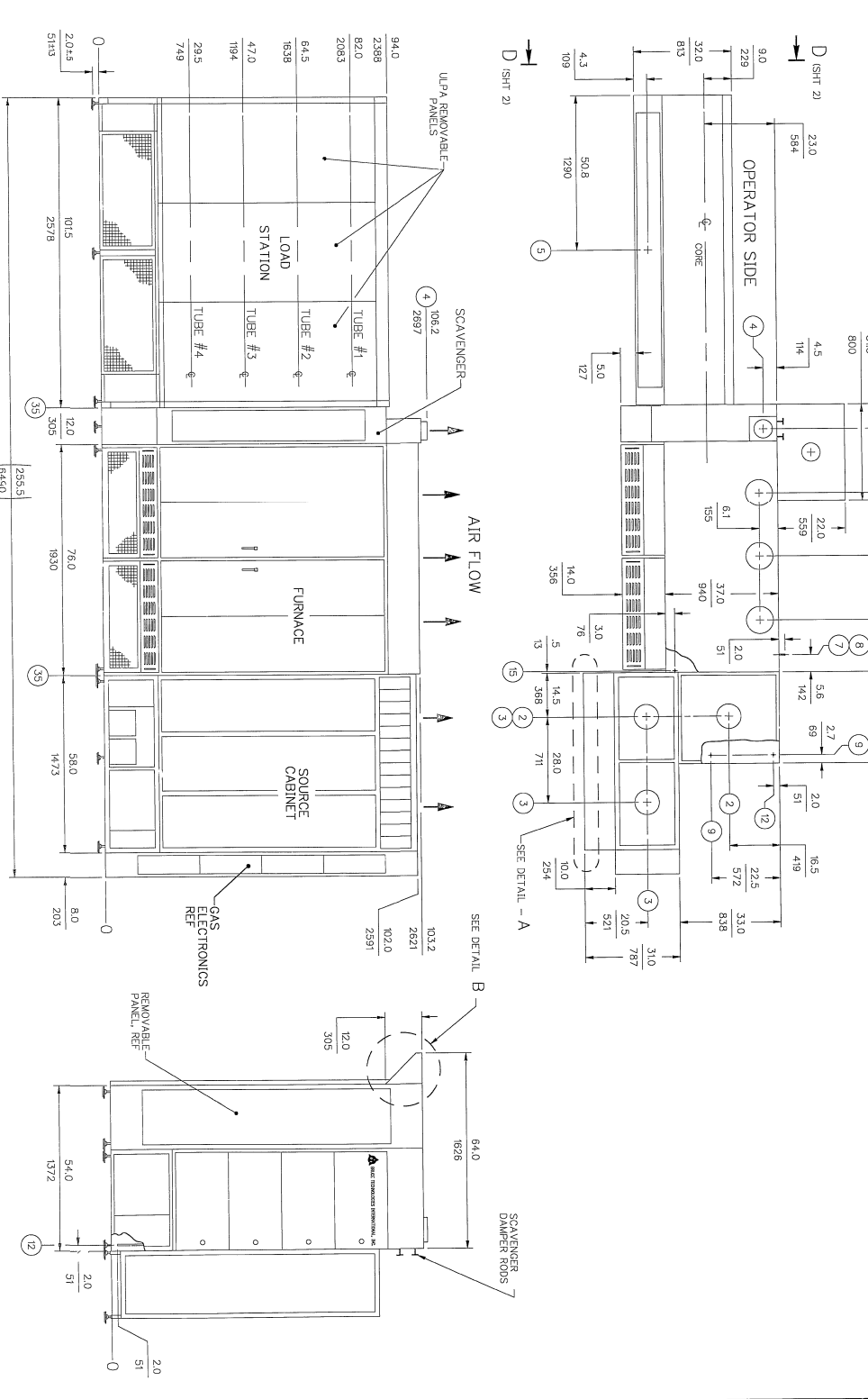
MAXIMUM PROGRESSIVE: 1 250, 2 250, 3 250, 4 250  
 MAXIMUM LINE CURRENT: 30 AMP  
 FURNACE CASE MUST BE GROUNDED PER LOCAL CODES

**BRUCE TECHNOLOGIES INTERNATIONAL, INC.**  
 MODEL: BDF-41  
 EQUIPMENT NO.: DSA1-6  
 DATE: 3/90  
 VOLT: 274 PH: 568 KVA  
 AMP: 30 TH: 568 KVA

JAIN: CIRCUIT BREAKER IS 350 AMPS  
 MP: = MAXIMUM CALCULATED LINE CURRENT  
 W: = MAXIMUM CALCULATED POWER IN KVA

**NOTES:**

- DIMENSIONS ARE GIVEN AS IN.
- MAIN POWER FEED IS A 3 PHASE, 4 WIRE, 208V, 50HZ, 3W, 4W, 5W AND GROUND 1 CONNECTION TO BE MADE FROM CEILING UPS POWER IS 220V, 50HZ, 3W, 4W, 5W. MINIMUM WALL OPENING DOES NOT INCLUDE CLEARANCE FOR PALETS, PALETS ADD 6 INCHES TO HEIGHT FROM BOTTOM FRAME.
- ELEV. = ELEVATION FROM FLOOR (FINISH).
- FACILITY CONNECTION NOT REQUIRED.
- H<sub>2</sub>O REGULATION AND OVERPRESSURE BYPASS ARE FACILITY RESIDENT.
- FLOWS LISTED ARE DRAIN LINE CAPACITIES IN THE EVENT OF A FLUID LEAK.
- TOPIC COOLING AIR REGULATION IS FACILITY RESIDENT.
- THIS IS A LEFT HAND SYSTEM COMPRESSED OPERATOR AND LOAD STATION WITH A LEFT HAND FURNACE, SCAVENGER AT 7 SOURCE CABINET.



**NOTICE OF NON-RESPONSIBILITY**

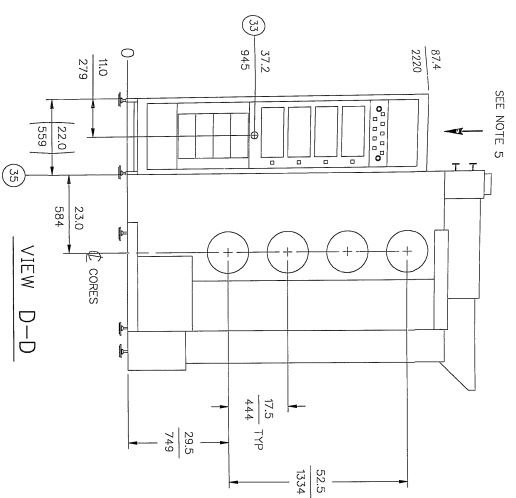
I, the undersigned, hereby certify that I am not the author of this drawing and that I have no knowledge of its contents. I am not responsible for any errors or omissions in this drawing.

**APPROVALS**

DATE	BY	FOR
1-24-81	W. BILLETION	MANUFACTURER'S REPRESENTATIVE
1-24-81	W. BILLETION	INSTALLATION AND FACILITIES

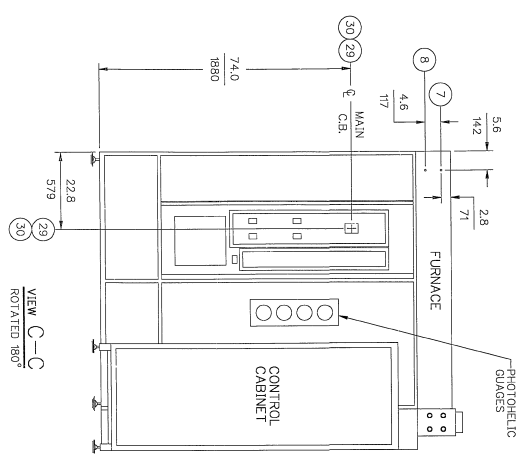
SCALE: 1/8" = 1'-0"

DWG NO: 985218



SEE NOTE 5

VIEW D-D

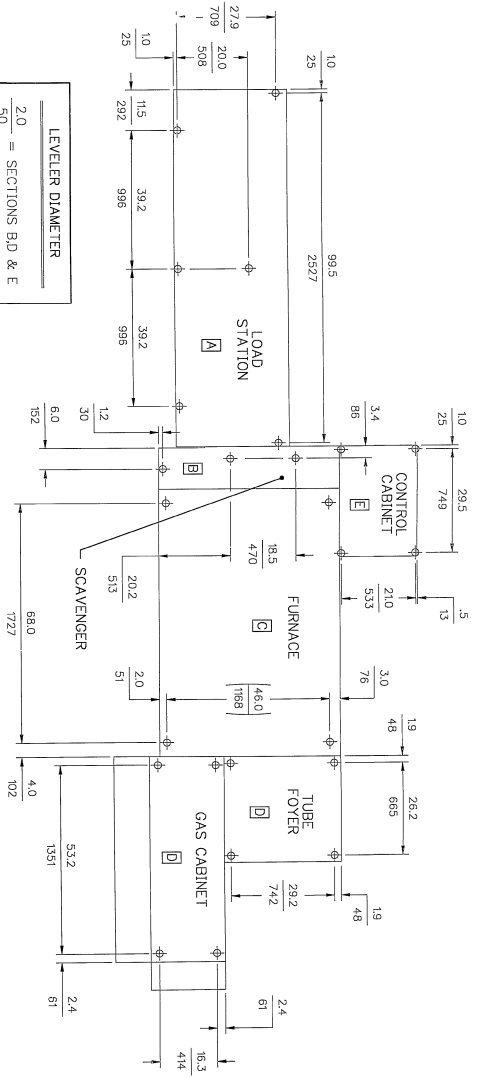


VIEW C-C  
ROTATED 180°

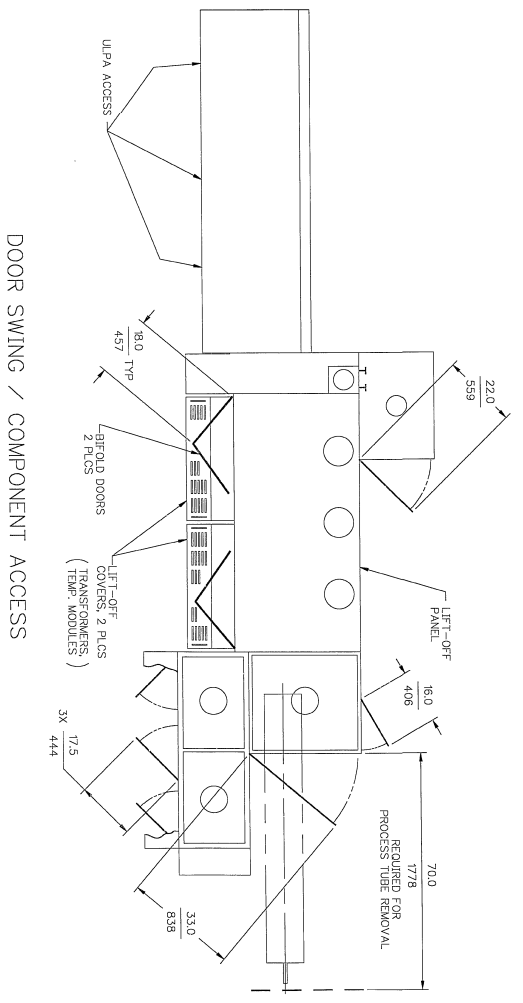
LEVELER DIAMETER	
2.0	= SECTIONS B,D & E
3.0	= SECTIONS A & C
7/8	

LEGEND	WEIGHT (LBS)
A	LOADING STATION 3600
B	SCAVENGER 4500
C	FURNACE 2500
D	SOURCE CABINET 2500
E	CONTROL CABINET 1200



LEVELING LEG LOCATIONS  
(POINT LOADING)



DOOR SWING / COMPONENT ACCESS