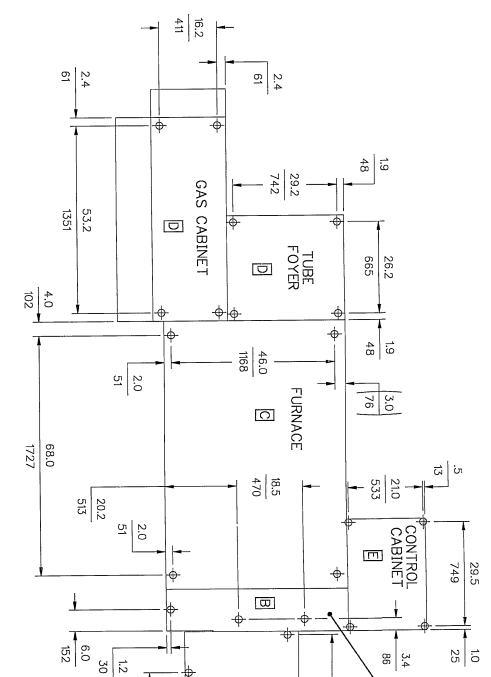


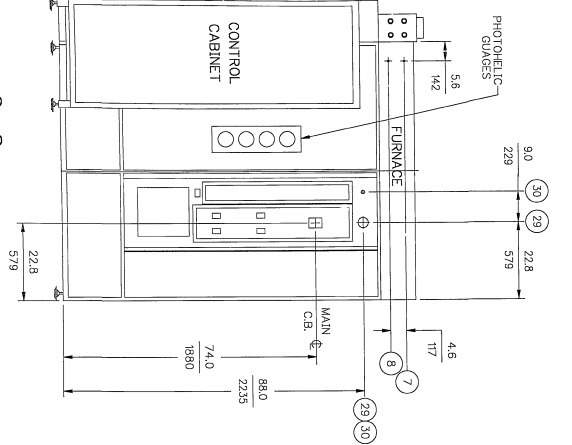
SEE NOTE 5



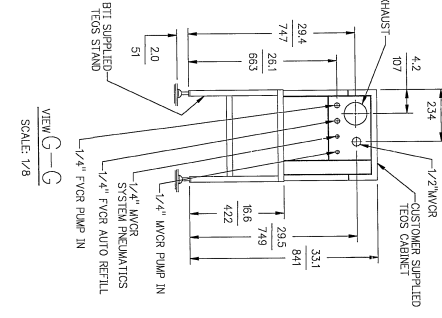
LEVELLING LEG LOCATIONS
(POINT LOADING)

LEVELER DIAMETER	
2.0	= SECTIONS BD & E
5.0	= SECTION C
3.0	= SECTIONS A & C
7.6	= SECTION A

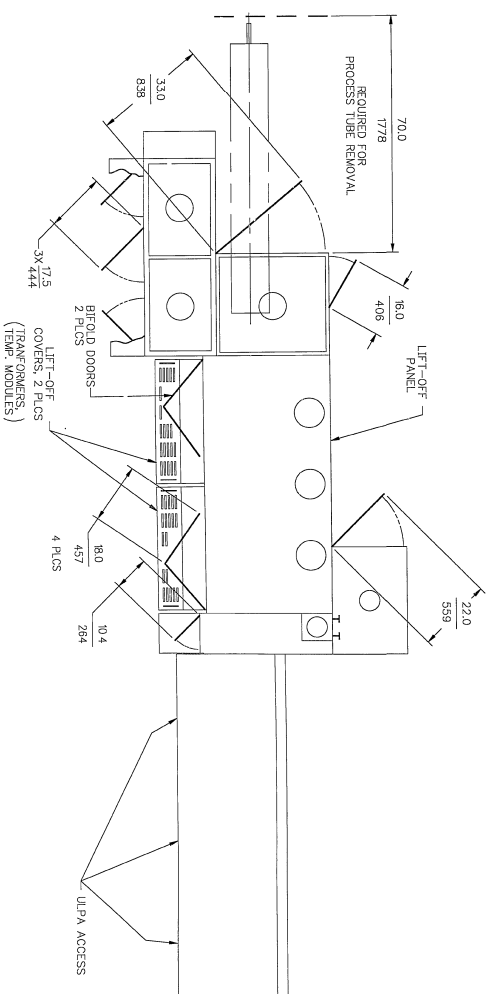
LEGEND		
□	LOADING STATION	WEIGHT LBS
□	SCAVENGER	3000
□	CONTROL CABINET	4800
□	GAS CABINET	2850
□	TUBE FOYER	2850
□	FURNACE	1850
□	CONTROL CABINET	1850



VIEW C-C
ROTATED 90°



VIEW G-G
SCALE: 1/8"



DOOR SWING / COMPONENT ACCESS