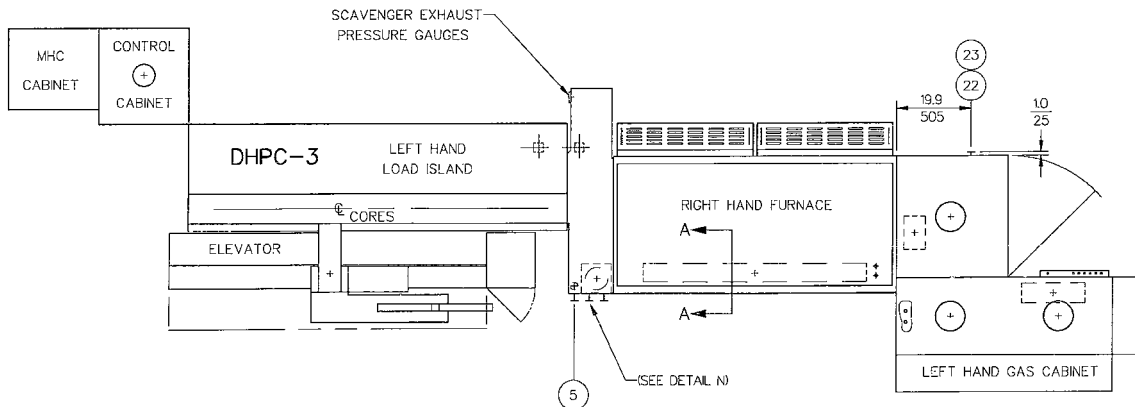




Bruce Technologies Inc.

18 Esquire Road, North Billerica, MA 01862

DHPC-3 (LH) 1989 Vintage



“As Is” Configuration:

BDF41 Left Hand

(2) tubes Atmospheric

- 32 - Liquid Deposition
- 43 - Pyrogenic Oxidation (Internal Pyro)

(2) tubes of CVD

- Flat Poly
- Flat Poly

Estimated \$xxx,xxx

Ref: Quote# 07032

• All other material refurbished unless noted.

- **Tube-1:** 32LD Liquid Deposition Gas Panel. Refurbished Schumacher Bubbler system, (NEW) 1200°C ATM Heating element
- **Tube-2:** 43P Pyrogenic Gas Panel with Internal Torch, (NEW) 1200°C ATM Heating element
- **Tube-3:** Flat Poly CVD Gas Panel Vacuum Components, Deposition Lines, Scavenger Plumbing, (NEW) Load End Flange, (NEW) CVD Door Assembly, Process Instruments, Cabling, (NEW) 45 feet Vacuum connection plumbing. (NEW) 1000°C CVD Heating element, (NEW) CVD Door Closure
- **Tube-4:** Flat Poly CVD Gas Panel Vacuum Components, Deposition Lines, Scavenger Plumbing, (NEW) Load End Flange, (NEW) CVD Door Assembly, Process Instruments, Cabling, (NEW) 45 feet Vacuum connection plumbing. (NEW) 1000°C CVD Heating element, (NEW) CVD Door Closure
- Refurbished 7355 Control system including Input and output modules configured with 16 Inputs and 16 Outputs.
- 4ea Refurbished 7670 Boatloaders
- Refurbished +24Vdc power supplies
- 40ea New Spike Thermocouples
- 1ea New Under-temperature Thermocouples
- New Bulkhead Cable system
- 4 New sets of process tube support and insulation packages

p (978) 670-5501

f (978) 262-2149

www.brucetechnologiesinc.com

a subsidiary of Amtech Systems Inc.

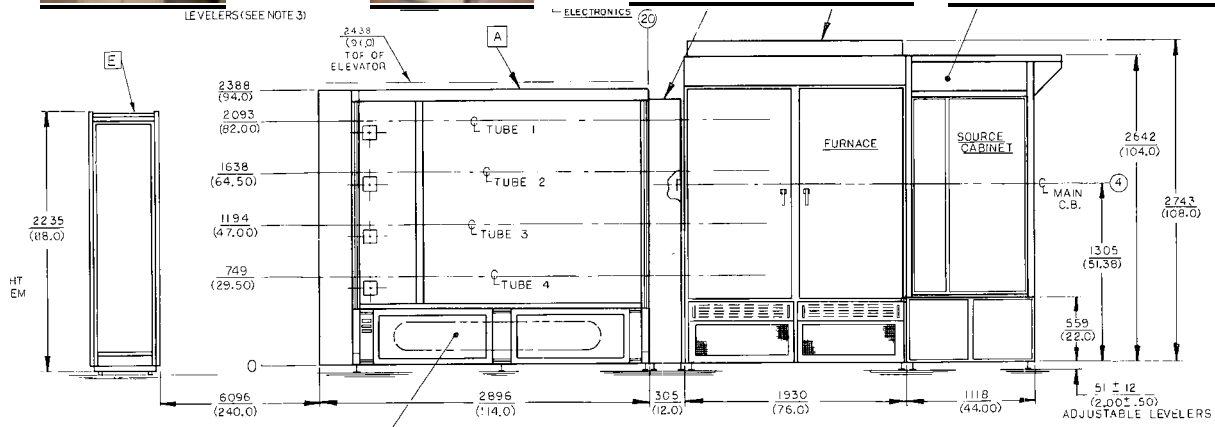




Bruce Technologies Inc.

18 Esquire Road, North Billerica, MA 01862

DSRG (LH) 1987 Vintage



"As Is" Configuration:

BDF41 Left Hand

(2) tubes Atmospheric

- 32 - Liquid Deposition
- 43 - Pyrogenic Oxidation (Internal Pyro)

(2) tubes of CVD

- Flat Poly
- Flat Poly

Estimated \$xxx,xxx

Ref: Quote# 07032

- **NEW** – Manuals & DOC kit,
- **All other material refurbished unless noted.**
 - **Tube-1:** 32LD Liquid Deposition Gas Panel. Refurbished Schumacher Bubbler system, (NEW) 1200°C ATM Heating element
 - **Tube-2:** 43P Pyrogenic Gas Panel with Internal Torch, (NEW) 1200°C ATM Heating element
 - **Tube-3:** Flat Poly CVD Gas Panel Vacuum Components, Deposition Lines, Scavenger Plumbing, (NEW) Load End Flange, (NEW) CVD Door Assembly, Process Instruments, Cabling, (NEW) 45 feet Vacuum connection plumbing. (NEW) 1000°C CVD Heating element, (NEW) CVD Door Closure
 - **Tube-4:** Flat Poly CVD Gas Panel Vacuum Components, Deposition Lines, Scavenger Plumbing, (NEW) Load End Flange, (NEW) CVD Door Assembly, Process Instruments, Cabling, (NEW) 45 feet Vacuum connection plumbing. (NEW) 1000°C CVD Heating element, (NEW) CVD Door Closure
- Refurbished 7355 Control system including Input and output modules configured with 16 Inputs and 16 Outputs.
- 4ea Refurbished 7670 Boatloaders
- Refurbished +24Vdc power supplies
- 40ea New Spike Thermocouples
- 1ea New Under-temperature Thermocouples
- New Bulkhead Cable system
- 4 New sets of process tube support and insulation packages

p (978) 670-5501

f (978) 262-2149

www.brucetechnologiesinc.com

a subsidiary of Amtech Systems Inc.

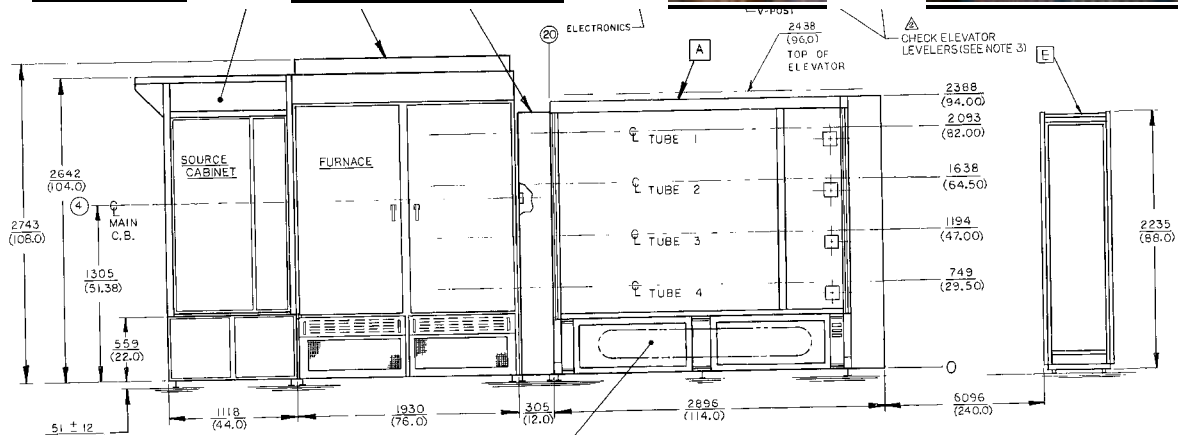




Bruce Technologies Inc.

18 Esquire Road, North Billerica, MA 01862

DSRG (RH) 1987 Vintage



“As Is” Configuration:

BDF41 Left Hand

(2) tubes Atmospheric

- 32 - Liquid Deposition
- 43 - Pyrogenic Oxidation (Internal Pyro)

(2) tubes of CVD

- Flat Poly
- Flat Poly

Estimated \$xxx,xxx

Ref: Quote# 07032

- **NEW** – Manuals & DOC kit,
- **All other material refurbished unless noted.**
 - **Tube-1:** 32LD Liquid Deposition Gas Panel. Refurbished Schumacher Bubbler system, (NEW) 1200°C ATM Heating element
 - **Tube-2:** 43P Pyrogenic Gas Panel with Internal Torch, (NEW) 1200°C ATM Heating element
 - **Tube-3:** Flat Poly CVD Gas Panel Vacuum Components, Deposition Lines, Scavenger Plumbing, (NEW) Load End Flange, (NEW) CVD Door Assembly, Process Instruments, Cabling, (NEW) 45 feet Vacuum connection plumbing. (NEW) 1000°C CVD Heating element, (NEW) CVD Door Closure
 - **Tube-4:** Flat Poly CVD Gas Panel Vacuum Components, Deposition Lines, Scavenger Plumbing, (NEW) Load End Flange, (NEW) CVD Door Assembly, Process Instruments, Cabling, (NEW) 45 feet Vacuum connection plumbing. (NEW) 1000°C CVD Heating element, (NEW) CVD Door Closure
- Refurbished 7355 Control system including Input and output modules configured with 16 Inputs and 16 Outputs.
- 4ea Refurbished 7670 Boatloaders
- Refurbished +24Vdc power supplies
- 40ea New Spike Thermocouples
- 1ea New Under-temperature Thermocouples
- New Bulkhead Cable system
- 4 New sets of process tube support and insulation packages

p (978) 670-5501

f (978) 262-2149

www.brucetechnologiesinc.com

a subsidiary of Amtech Systems Inc.

